



ADK-3582A Evaluation Board

HI-3582A/3583A, HI-3582/3583 Evaluation Kit Users Guide

April 2017

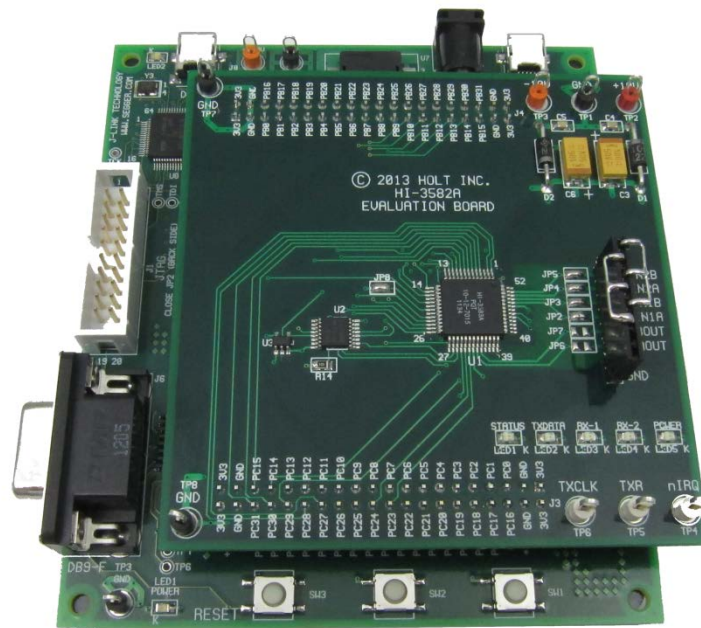
REVISION HISTORY

Revision	Date	Description of Change
AN-3582A, Rev. New	01-23-13	Initial Release
Rev. A	04-12-17	Change to new document format. Update BOM. Update IAR installation instructions.

Introduction:

The Holt HI-3582A/3583A ARINC 429 Evaluation Board demonstrates most features of the HI-3582A/3583A /3582/3583 3.3V Terminal IC. The HI-3582A/3583A Terminal IC features a single transmitter with integrated line driver and two receivers. The transmitter and both receivers feature 32 x 32 FIFOs. The device (HI-3582A/3583A) uses a 16-bit parallel data bus for interfacing to a microcontroller or FPGA.

The 2-board Holt evaluation kit uses an Atmel Cortex M3 32-bit microcontroller (MCU) to demonstrate the features of the device. The MCU is located on the lower board and a separate HI-3582A/3583A daughter card plugs on top of the MCU board. The daughter card can be removed from the lower board and used separately with another host FPGA /MCU interface. A serial port in the MCU displays ARINC 429 transmit and receive words on the console when the computer runs a terminal emulation program like HyperTerminal or TeraTerm. The demo program includes a menu of commands entered from the console to alter the configuration of the HI-3582A (either HI-3582A/HI-3583A) by modifying the Control Word register bits on-the-fly. Using the console commands provide a convenient way to learn the HI-3582A by making changes and seeing the effect on ARINC 429 words displayed on the console or by viewing the transmissions on an oscilloscope.



This guide explains how to quickly get set up and running. Additional support material and the full software project are provided in the included CD-ROM. Since the demo code is pre-programmed in the microcontroller flash, the demo is operational right out of the box. No software development tools are

needed to run the demo. The IDE toolset used to compile and debug this demo software project is IAR Systems Embedded Workbench® for ARM (32K KickStart Edition). More information is provided on the IAR toolset and software later in this document.

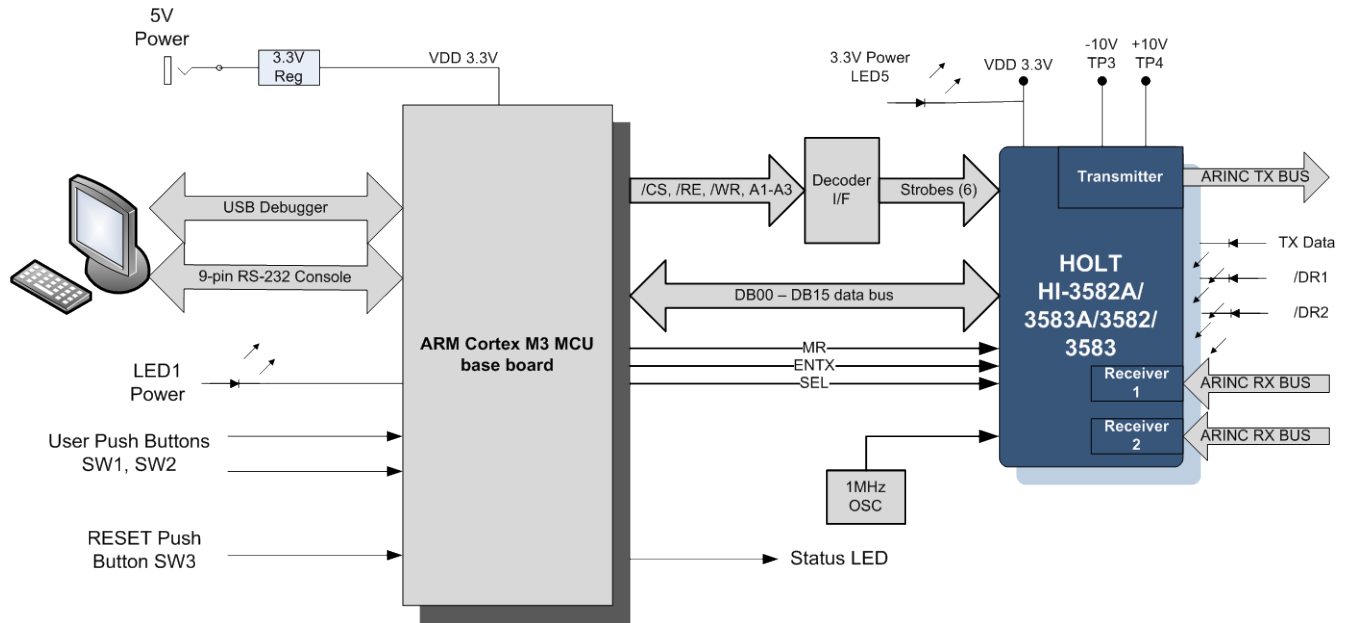
Evaluation Kit Contents

- This Application Note AN-3582A User's Guide.
- Cortex M3 lower board and schematic.
- HI-3582A/3583A plug-in daughter card and schematic.
- 8-pin jumper strip.
- HI-3582A/3583A Data Sheet.
- RS-232 9 Pin Serial Cable.
- Demo Project compatible with IAR Embedded WorkBench® for ARM
- Low-Level C drivers (module included in the project).
- CD-ROM containing all the documents and software.

Topics:

- Evaluation Board Block Diagram
- Evaluation Board set up
- Quick Start Guide
- Program Overview
- Flow charts
- IAR Embedded Workbench® for ARM software toolset
- Schematics diagrams and bill of materials
- Summary

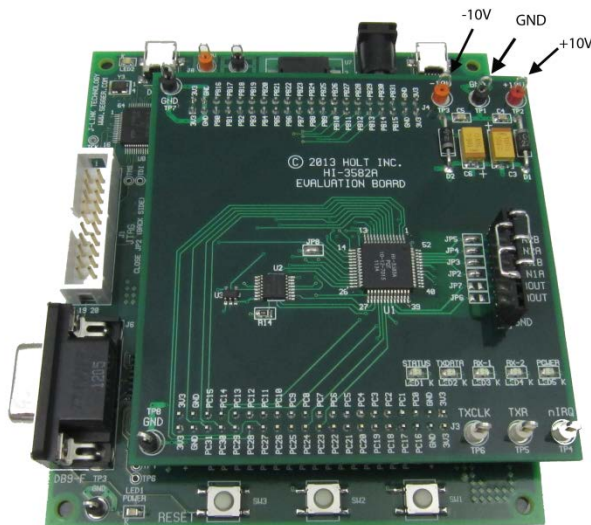
Evaluation Board Block Diagram (two-board set)



Demonstration Board Set Up

1. Connect the included 5V power adapter to the 5VDC IN jack.
2. Connect a bench power supply (not provided) with -10 volt, +10 volt and ground outputs to the daughter card test points:

TP3 = +10 volts.
 TP2 = -10 volts.
 TP1 = Ground.



3. Connect the included RS-232 cable between the board and the PC Serial (COM) port. Configure the serial communication on the PC for 115200 Baud, 8 bits, No Parity, No handshaking. If a PC Serial port is not available, an USB to Serial adapter may be needed (not provided). Four seconds after power up, the demo program starts loading the HI-3582A FIFO transmit register with ARINC 429 words and starts to transmit incrementing data words. ARINC 429 data words are viewable with an oscilloscope on J1 pins 5 and 6.
4. The daughter card should have an 8-pin jumper-plug inserted into J1 header. This connects the transmitter outputs to both receiver inputs. This jumper-plug is shown below and used in the demonstrations.



Quick Start Guide

1. After the demo board has been powered up, the MCU displays information on the console, starting with the name and revision of the program. The demo program then issues a master reset pulse to the HI-3582A and reads back the contents of the Status Register. If the value read is 0x0040, program execution continues. If any other value is read, the program displays “Part Not Detected” and the value from the Status register, then enters a perpetual loop.

```
*** Part Not Detected, Status Reg Invalid =0xXXXX
```

The demo program displays a menu of available commands and pauses for 4 seconds, then automatically begins transmitting ARINC data words. To view this menu for a longer time, press the space bar on the PC keyboard. Anytime during transmission, pressing the space bar will pause the program, or press the H (or h) key to display the menu again.

```
Holt Integrated Circuits HI-3582A/3583A Demo Board Ver: 1.0
Compiled: Jan 23 2013 14:43:55
```

```
*** Part Detected ***
Status Reg Valid =0x0040
Control Word = 0x8030
```

```
*****
Holt Integrated Circuits HI-3582A/HI-3583A
Compiled: Jan 22 2013 15:53:46
*****
```

```
Press-0 to Enter Hardware Test mode, Pulse 74VC138 decoder outputs
Press-1 to Toggle Enable/Disable Receiver-1 label recognition
Press-2 to Toggle Enable/Disable Receiver-2 label recognition
Press-5 to Enable Receiver-1 Encoder data9=0 and data10=0 bits
Press-6 to Disable Receiver-1 Encoder data9=0 and data10=0 bits
Press-7 to Enable Receiver-2 Encoder data9=0 and data10=0 bits
Press-8 to Disable Receiver-2 Encoder data9=0 and data10=0 bits
```

AN-3582A

```
Press f or F to Toggle between FIFO Empty and FIFO Full demonstration
Press l or L to load and read back 16 labels on Rec-1 and Rec-2
Press h or H to Display this Menu
Press m or M to apply a MR pulse to the HI-3582A/83A
Press p or P to Toggle Transmitter ARINC bit32 between data or Parity
Press s or S to Toggle the HI-3582A/83A between Scramble and Un-scramble mode
Press r or R to Toggle between HIGH SPEED and LOW SPEED
Press t or T to Toggle between Self-Test Mode and Normal Operation
Press SPACE BAR to Pause
```

Program will begin in 4 seconds, Press H to see this menu again.

2. With the jumper-plug inserted into J1, the console outputs the Status register and Control Word values, followed by a second line showing the transmitted 32-bit ARINC 429 word and 8-bit Label value. The program increments the upper 16 bits after each transmission of the ARINC 429 word, leaving the lower 16 bits of the words as 0x43LL, where LL represents the Label value. The default Label value is 0x01 and is displayed again for easy identification. Both receivers should display the same values as the preceding transmitter word and each transmission is separated by approximately a 320ms delay.

```
Status Reg = 0x0040      Control Word = 0x8030
Transmitter: 0x00004301  Label: 0x01
Receiver-1 : 0x00004301  Label: 0x01
Receiver-2 : 0x00004301  Label: 0x01
```

```
Status Reg = 0x0040      Control Word = 0x8030
Transmitter: 0x00014301  Label: 0x01
Receiver-1 : 0x00014301  Label: 0x01
Receiver-2 : 0x00014301  Label: 0x01
```

```
Status Reg = 0x0040      Control Word = 0x8030
Transmitter: 0x00024301  Label: 0x01
Receiver-1 : 0x00024301  Label: 0x01
Receiver-2 : 0x00024301  Label: 0x01
```

3. Press SW1 push button increments the Label value.

```
Status Reg = 0x0040      Control Word = 0x8030
Transmitter: 0x00024302  Label: 0x02
Receiver-1 : 0x00024302  Label: 0x02
Receiver-2 : 0x00024302  Label: 0x02
```

4. Press SW2 push button decrements the Label value.

```
Status Reg = 0x0040      Control Word = 0x8030
Transmitter: 0x00024301  Label: 0x01
Receiver-1 : 0x00024301  Label: 0x01
Receiver-2 : 0x00024301  Label: 0x01
```

5. Remove the J1 jumper-plug. The display shows only the transmitter data.

```
Status Reg = 0x0040      Control Word = 0x8030
```

AN-3582A

Transmitter: 0x00004301 Label: 0x01

Status Reg = 0x0040 Control Word = 0x8030
Transmitter: 0x00014301 Label: 0x01

Status Reg = 0x0040 Control Word = 0x8030
Transmitter: 0x00024301 Label: 0x01

6. While the program is transmitting ARINC 429 words, bus signals can be viewed with an oscilloscope on J1 pins 1-6. See schematic for the actual pin-out. If the jumper-plug is installed, connect the oscilloscope to the two connections on the top of the jumper.
7. To apply an external ARINC 429 transmitter source to either Receiver-1 or Receiver-2, first remove the jumper-plug on J1 and connect the RIINXA and RIINXB pins to the external transmitter. The demo program defaults to High Speed (100kbps) with no label recognition so any valid ARINC 429 word should be displayed by the demo board. If the external ARINC 429 transmitter is set to Low Speed, Press the 'R' key on the console to change the demo board to Low Speed.
8. Daughter card LEDs

LED	NAME	FUNCTION
LED1	Status	Flashes to show loop activity
LED2	TX Data	Turns on when TX FIFO loaded
LED3	RX-1 (Receiver-1)	Turns on when data is received
LED4	RX-2(Receiver-2)	Turns on when data is received
LED5	Power on (amber)	On to indicate 3.3V power

9. To learn more about the demo program, features and capabilities of the HI-3582A/3583A Terminal IC and IAR Embedded Workbench[®] IDE software development tool, read the following sections.

Demo Program Overview

After the program completes the initialization and displays the header menu, the program executes a repeating main loop that transmits an incrementing data pattern, flashes LED1 on and off, checks for a button press on either SW1 or SW2 and polls each receiver for data reception. When receiver reception is detected, the program reads out the FIFO data and displays the data on the console. The serial port is checked at the end of the loop for possible console commands entered by key press. Console commands direct the MCU to modify the Control Register (CR) bits on-the-fly while the program transmits and receives ARINC 429 messages, so that the effects are immediately visible on the console or oscilloscope. A complete list of Console Commands is shown below and a full description of the sixteen Control Word (CR) bit fields is described on page 3 of the HI-3582A/3583A data sheet.

Console commands execute when the corresponding single letter or digit is pressed on the console PC keyboard. Letters can be entered in lower or upper case. Most commands pause the program and display the updated command status for one second, then automatically resumes transmission. For example, pressing the 'R' key executes the HIGH SPEED/LOW SPEED toggle command. Since the program defaults to High Speed after power up, the program will respond by displaying LOW SPEED (showing the new state) for one second, then begins Low Speed transmission.

LOW SPEED (new speed is Low Speed)

Console Command List:

- Press-0 : Execute a hardware test sequence. The program sequentially reads each address which produces a negative pulse on the 74LVC138 decoder in an endless loop. Press the reset button to exit this test.
- Press-1: Toggles (CR1) enabling/disabling Label recognition for Receiver-1.
- Press-2: Toggles (CR3) enabling/disabling Label recognition for Receiver-2.
- Press-5: Enables Receiver-1 decoder (CR6) to only pass messages with bit9 and bit10 matches to CR7 and CR8 respectively.
- Press-6: Disables Receiver-1 decoder (CR6) (from command-5).
- Press-7: Enables Receiver-2 decoder (CR9) to only pass messages with bit9 and bit10 matches to CR10 and CR11 respectively.
- Press-8: Disables Receiver-2 decoder (CR9) (from command-7).
- Press-Space Bar: Pauses the program and stops transmitter and receiver reception until any key is pressed.

Press-F: FIFO Empty/Full demonstration.
 The demo program default after a power up, checks the transmit FIFO (SR7) not full and receiver FIFO contains valid data flags (SR0 and SR3) in the Status register before writing or reading the FIFO. This transmits and receives one message after the other one at a time. When command F is entered the program uses the transmit Full and the receiver empty flags. The program fills the transmit FIFO with 32. After the FIFO is full the program polls the receivers and reads all the FIFO data until the FIFO flags indicate empty.

Press-L Loads all 16 labels from a “C” array to Receiver-1 and Receiver-2 label memories. Receiver-1 will have odd values and Receiver-2 will have even values. This command only loads the label memory. Command 1 or command 2 must be used to enable the label recognition to take effect.

```
Receiver-1 Labels Loaded:
0x01 0x03 0x05 0x07 0x09 0x11 0x13 0x15 0x17 0x19 0x21 0x23 0x25 0x27 0x29 0x31
Receiver-1 Labels Read:
0x01 0x03 0x05 0x07 0x09 0x11 0x13 0x15 0x17 0x19 0x21 0x23 0x25 0x27 0x29 0x31

Receiver-2 Labels Loaded:
0x00 0x02 0x04 0x06 0x08 0x10 0x12 0x14 0x16 0x18 0x20 0x22 0x24 0x26 0x28 0x30
Receiver-2 Labels Read:
0x00 0x02 0x04 0x06 0x08 0x10 0x12 0x14 0x16 0x18 0x20 0x22 0x24 0x26 0x28 0x30
```

Press-H Displays the Console command menu.

Press-M Issues a Master Reset pulse to the HI-3582A and writes the default Control Word value 0x8030 to Control Word register.

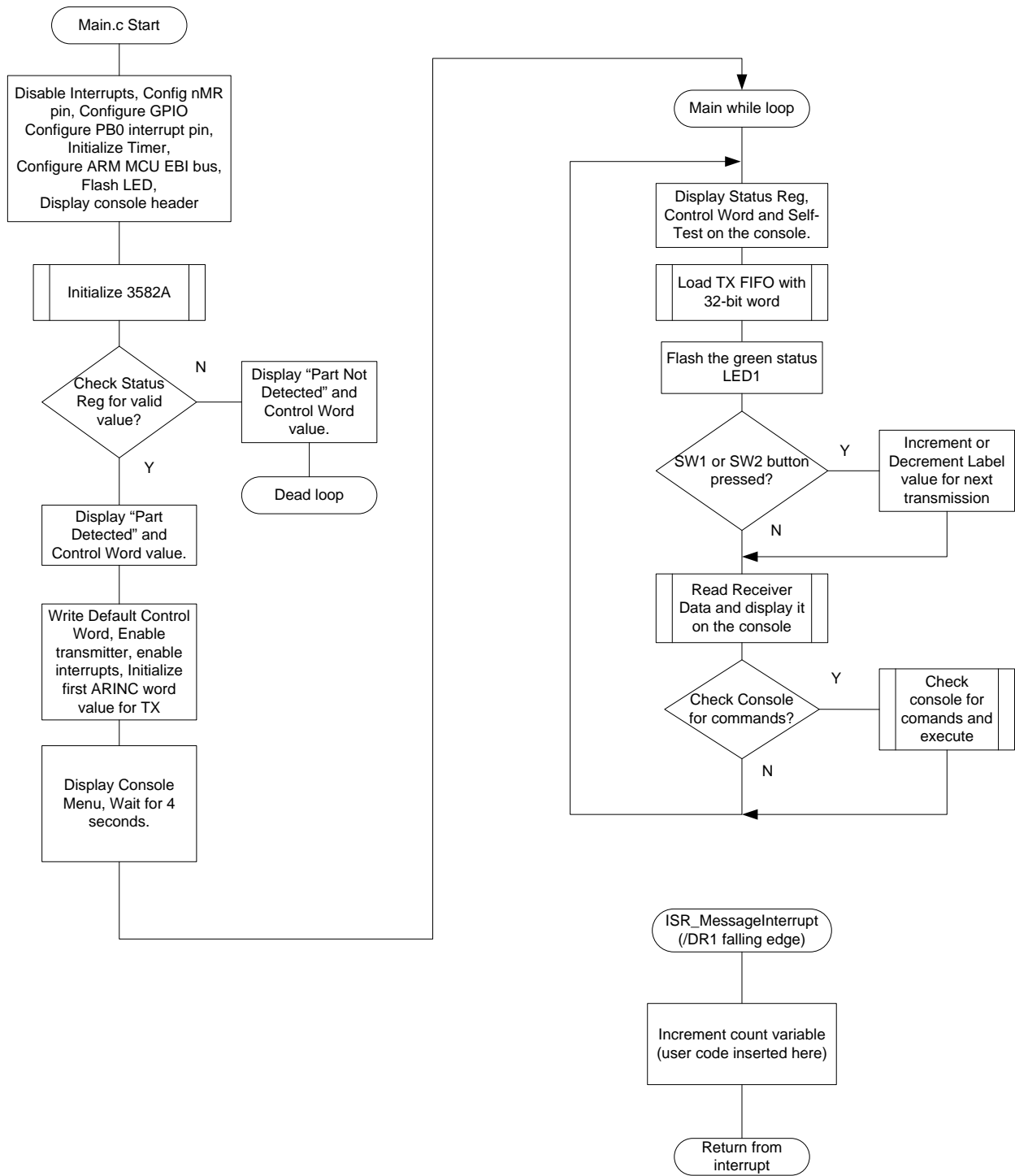
Press-P Toggles CR4 in the Control Register to alter the transmitter 32nd bit between data or parity.

Press-S Toggles CR15 in the Control Register to switch between Scrambled and Unscrambled data mode. See page 4 of the data sheet for a table showing the data mapping.

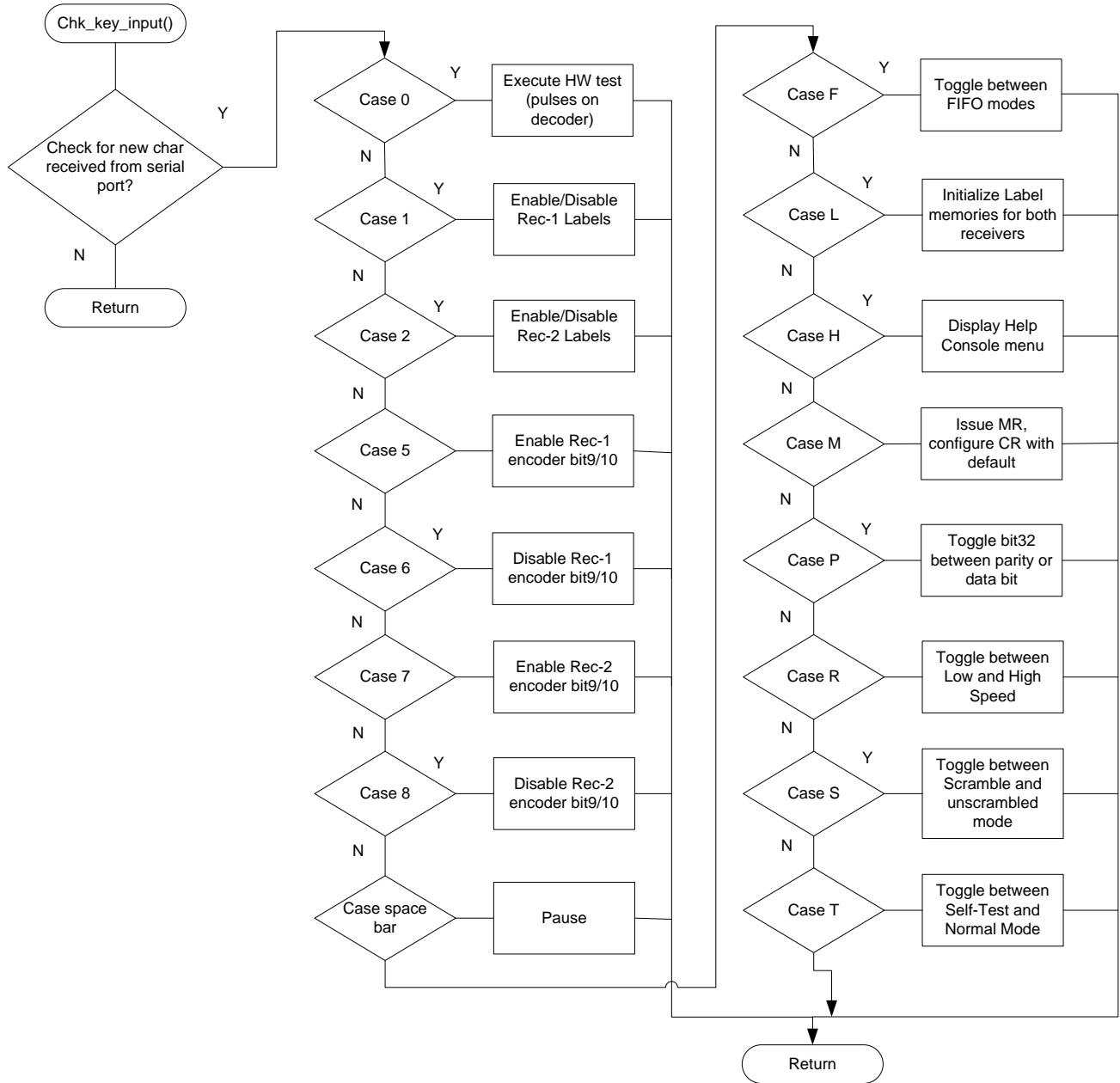
Press-R Toggles CR0, CR13 and CR14 to reconfigure the transmitter and both receivers between low speed and high speed.

Press-T Toggles CR5 to switch between Self-Test and Normal modes.

Software Program Flow-chart (main.c)



Software Program Flow-chart, console commands



Using the HI-3582A/3583A Daughter card with an external MCU or FPGA

To use the daughter card with a different host, unplug the daughter card and make the necessary connections to the 16-bit bus signals, A1-A3 address lines, nWR, nRD and nCS. All these signals are available on the J3 and J4 header pins. Apply a 3.3 volt supply to one of the J3 or J4 pins (pin 39 or pin 40). Connect a +10 volt supply to TP2 and -10 volt supply to TP3. The timing requirements for the 16-bit data bus and control signals are found in the product data sheet.

Daughter card Jumpers

TEST INPUT (Transmitter Disable) JP1 – This jumper is normally open. When it is closed, a high is asserted on the TEST input pin which disables the transmitter.

IC current measurement solder links JP8 and JP9 are provided to allow current measurements.

Line Driver resistor jumpers:

The HI-3582A includes two 37.5 ohm series resistors integrated into the transmitter outputs capable of driving the ARINC 429 bus directly so jumpers JP6 and JP7 should be shorted. These jumpers should be open if the HI-3583A is used. When a HI-3583A is used, the internal 10 ohm resistors in series with the external 27.4 ohm resistors will provide the needed 37.5 ohm output resistance.

Receiver input resistors:

Each receiver input line on the PCB has a jumper which bypasses a series 15K ohm resistor. Non-dashed numbered parts have internal 35K ohm input resistors. On -15 parts, the two internal resistors are 20K. These parts require external 15K ohm series resistors. Notes on the schematic show the proper jumper settings for using the -15 version of the part.

External resistors are used in lightning protection schemes implemented with external components. For information on lightning protection see AN-300 and AN-301 application notes.

IAR IDE Embedded Workbench® and ARM Cortex M3 Demo Project

The following steps install and configure the C compiler and describe how to load and modify the demonstration project using the HI-3582A/3583A Application Development Kit.

1. Installed IAR Systems *Embedded Workbench for ARM (EWARM 7.1 or greater)* is required BEFORE adding the Holt demo project, so all Atmel board library files and the demo project folder are created in the proper locations. Follow the “*Holt HI-3582A Demo Project Installation Guide*” found in the Project folder on the Holt CD-ROM. Before proceeding to the next steps IAR must be installed and the Holt project folder must be in the proper folder location, according to that guide.

Instructions beyond this point assume you have completed the above installation tasks.

2. Launch IAR *Embedded Workbench* from the Windows Start menu. A blank screen should appear. Open the Holt HI-3582A Demo Project from the IAR File pull-down menu, click on File/Open/Workspace and navigate to the project folder location and select “HI-3582A_83A Demo.eww” and click the Open button.
3. Debug requires an interface between the computer running IAR Embedded Workbench® and the HI-3582A Application Development Kit. Connect the small end of the provided USB cable to the evaluation board USB connector marked DEBUG. Connect the other end of the USB cable to a free computer USB port. The IAR C-SPY Debugger for ARM includes drivers for numerous target system interfaces, including built in “J-link On Board”.

The first time the evaluation board USB cable is connected to the computer, the Windows “Found New Hardware” message should appear for the J-Link device. After several seconds, Windows should load the appropriate driver and advise, “Your hardware is ready for use”. If Windows fails to find the J-Link driver, direct it to look in the Drivers directory the IAR Embedded Workbench® installation CD.

If difficulties arise when initiating a debug session at step 5, click **Project** then **Options**. In the window that opens, under **Category** = **Debugger** highlight **J-Link/J-Trace**. Click the tab labeled **Connection**, then verify Communications = USB and Interface = SWD.

3. Open IAR Embedded Workbench®. Click **File**, then **Open Workspace**, then navigate to the project subdirectory created in step 4. Select the project file with .eww extension, then click **Open**. (The next time Embedded Workbench® opens, this project will appear in the Recent Workspaces list when **File** is clicked.)
4. If problems occur with IAR installation or with using the IAR debugger, two Holt technical notes are provided to help resolve these issues included on the Holt CD ROM.

- The demo project only uses unsigned integer variables. Optionally turn off the nuisance compiler message that occurs when a variable's most significant bit toggles. The message looks like this:
Remark[Pe068]: integer conversion resulted in a change of sign

To disable this diagnostic message, click **Project** then click **Options**

Category = C/C++ Compiler

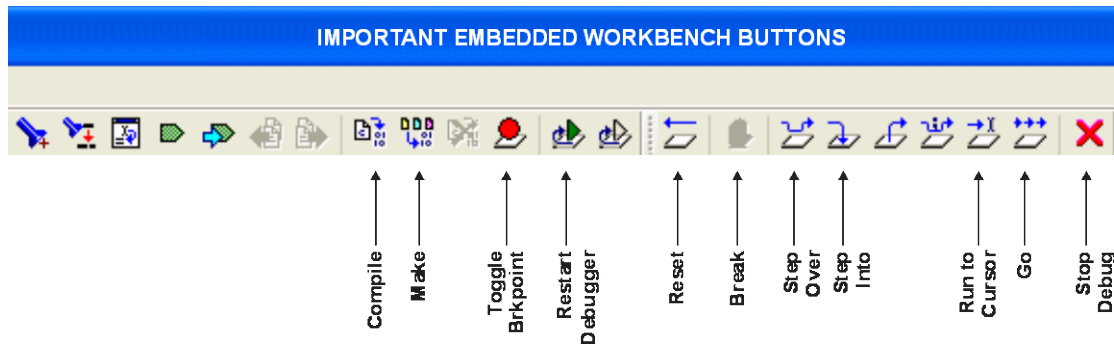
Tab = Diagnostics

Suppress these diagnostics: add "Pe068" to list

- RAM based projects are not supported due to the limited amount of RAM on the MCU. By design the Cortex™-M3 runs slower in RAM than in Flash so there is little need for a RAM based project.

Compile the project by clicking the **Make** button. See following illustration. If the Build messages window in IAR Embedded Workbench® indicates no errors or warnings, you can continue. If errors occurred, correct them and recompile the program.

- Initiate a debug session by clicking the **Restart Debugger** button. This downloads the compiled program into the MCU and readies the board for program execution. Click **Go** to start execution. Click **Break** (normally displayed during execution as a red upheld hand) to stop execution.



- Click **Break** (normally displayed during execution as a red upheld hand) to stop execution.

Many of the project files are common to all Atmel Cortex M3 example projects located in the ...\\Atmel\\at91sam3u-ek folder. The following is a list and description of the Holt specific HI-3582A/3583A demo project files.

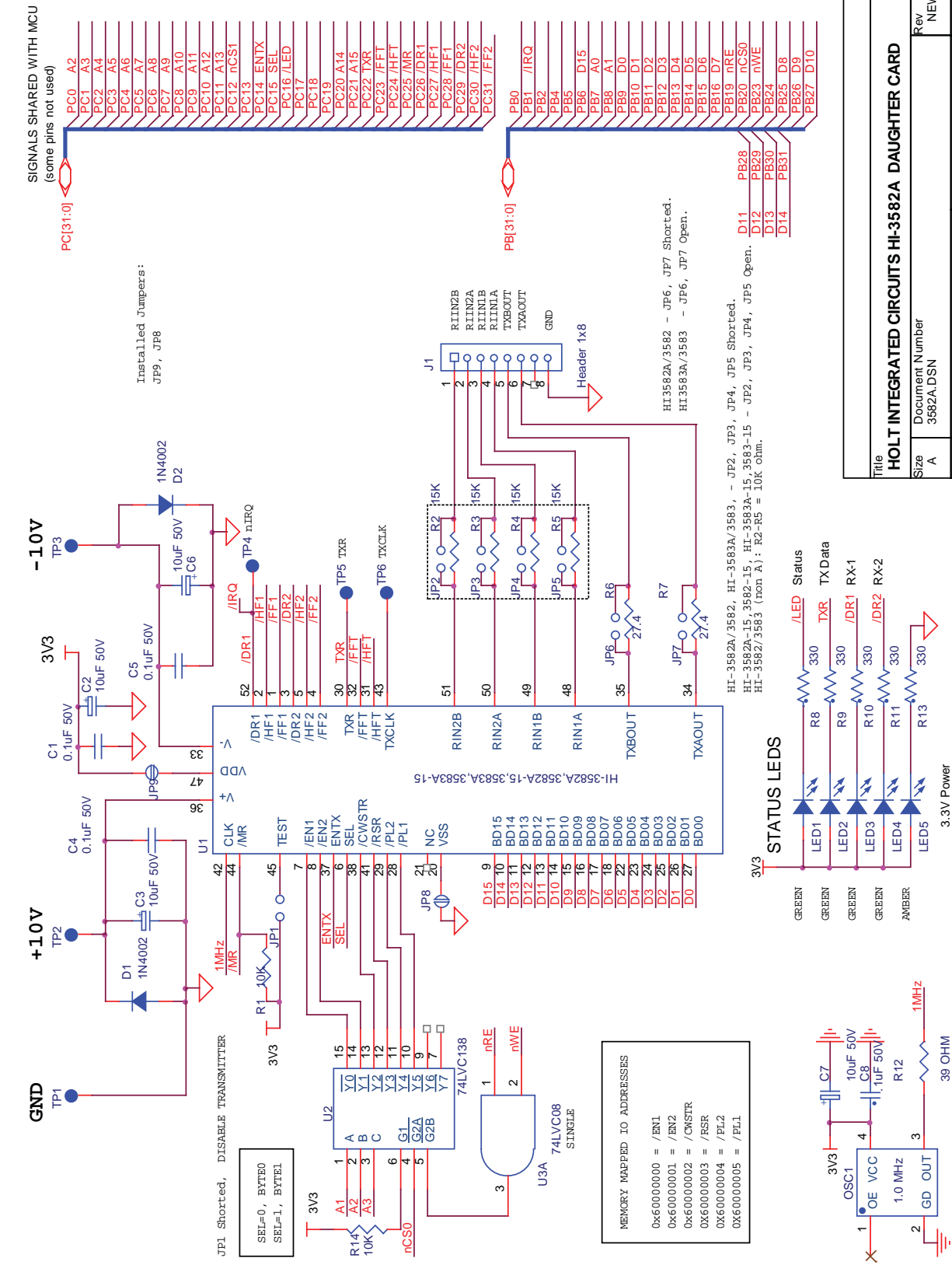
Demo Project files:

Main.c	The main initialization and loop section of the program resides in this file.
Board_EBI.c	Contains code to initialize the (External Bus Interface) EBI interface for the parallel bus going to the HI-3582A/3583A 16-bit bus.
3582A_83A_Driver.c	Low-level drivers for the HI-3582A/3583A/3582/3583. This low-level drive module contains numerous support functions to allow writing to the HI-3582A/3583A Control Word and reading the Status register, enabling/disabling CR option control bits, initializing and enabling label recognition and other capabilities. This file and the associated header file can be used to start a new customer project using a different processor. Some changes may be required depending on the processor choice.
3582A_83A_Driver.h	Header file.
boardSupport.c	Miscellaneous functions.
boardSupport.h	Header file.
Common.h	Common macros.
Interrupt.c	Interrupt module containing the ISR interrupt function. An ISR function is provided and executes when the Receiver-1 /DR1 signal goes low. Custom user code can be inserted here. A local variable "count" increments with each interrupt to demonstrate the function.
Interrupt.h	Header file.
Console.c	Serial Console input and output functions.
Console.h	Header file.
README.TXT	Provides revision history and other project information.

Summary

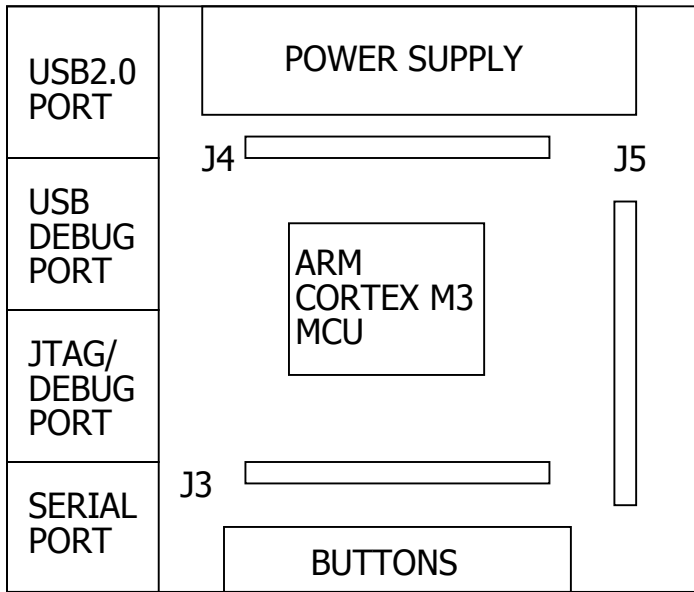
This Users Guide provides a Quick Start for demonstrating the HI-3582A/3583A evaluation board, a Users Guide for the software which demonstrates nearly all features of the Holt HI-3582A/3583A terminal IC, and provides an introduction to the IAR Embedded Workbench® software development toolset.

<i>Item</i>	<i>Qty</i>	<i>Description</i>	<i>Reference</i>	<i>DigiKey</i>	<i>Mfr P/N</i>
1	1	PCB, Bare, Eval Board	N/A	-----	JetTech 34539
2	4	Capacitor, Cer 0.1uF 20% 50V Z5U 0805	C1,C4,C5,C8	399-1176-1-ND	Kemet C0805C104M5UACTU
3	4	Cap Tant 10uF 50V 10% 2917	C2,C3, C6, C7	399-4770-1-ND	T498D106K050ATE1K0
4	1	Header, Male 1X8 .1" Pitch	J1	S1012E-08-ND	Sullins PEC08SAAN
5	2	Header, Male 2x20 .1" Pitch	J3,J4	S2012E-20-ND	Sullins PEC20DAAN
6	1	LED Amber 0805	LED5	160-1177-1-ND	LiteOn LTST-C170AKT
7	4	LED Green 0805	LED1 - LED4	160-1179-1-ND	LiteOn LTST-C170GKT
8	1	Osc, 1MHz, 3.3V, SMD, 3.35 x 5.15mm	OSC1	631-1317-1-ND	IDT XLH536001.0
9	2	Resistor, 27.4 1% 1/8W 0805	R6,R7	P27.4CCT-ND	PanasonicERJ-6ENF27R4V
10	1	Resistor, 39 5% 1/8W 0805	R12	P39ACT-ND	Panasonic ERJ-6GEYJ390V
11	5	Resistor, 330 5% 1/8W 0805	R8,R9,R10,R13,14	P331ACT-ND	Panasonic ERJ-6GEYJ331V
12	1	Resistor, 10K 5% 1/8W 0805	R1	P10KACT-ND	Panasonic ERJ-6GEYJ103V
13	4	Resistor, 15K 5% 1/8W 0805	R2,R3,R4,R5	P15KACT-ND	Panasonic ERJ-6GEYJ153V
14	2	Diode GP 1A 100V DO41	D1, D2	1N4002FSCT-ND	On Semi 1N4002
15	1	Test Point, Red Insulator, 0.062" hole	TP2(+10V)	36-5010-ND	Keystone 5010
16	3	Test Point, Black Insulator, 0.062" hole	TP1(Gnd),TP7(Gnd),TP8(Gnd)	36-5011-ND	Keystone 5011
17	3	Test Point, White Insulator, 0.062" hole	TP4(nIRQ),TP5(TXR),TP6(TXCLK)	36-5012-ND	Keystone 5012
18	1	Test Point, Orange Insulator, 0.062" hole	TP3(-10V)	36-5013-ND	Keystone 5013
19	1	HI-3582APQI - 48PQFP	U1	HOLT IC	Holt IC
20	1	IC Decode/Demux 3-8Line,16 TSSOP	U2	296-24670-1-ND	TI SN74LVC138AMPWTEP
21	1	IC Pos AND Gate, SOT23-5	U3	296-22345-1-ND	TI SN74LVC1G08MDBVREP

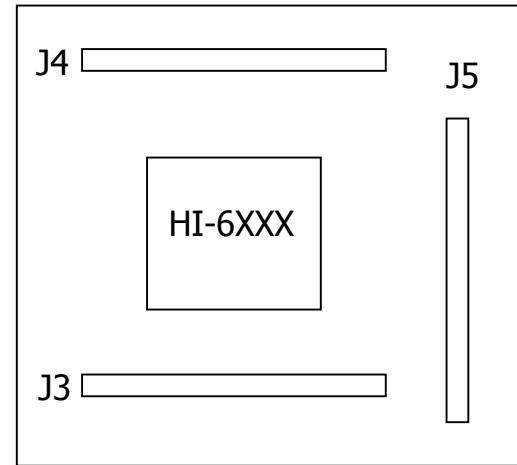


Title		HOLT INTEGRATED CIRCUITS HI-3582A DAUGHTER CARD	
Size	Document Number	Rev	
A	3582A.DSN	NEW	
Date:	Tuesday, January 29, 2013	Sheet	1 of 2

Item	Qty	Description	Reference	DigiKey	Mfr P/N
1					
2	1	PCB, Bare, Evaluation Board	N/A	-----	
3	1	Ferrite Bead, 220 Ohm @ 100MHz 300mA DC 0805	FB1	732-1602-1-ND	Wurth 742792034
4	2	Capacitor, Ceramic 10nF 10% 50V X7R 0603	C1,C42	490-1512-1-ND	Murata GRM188R71H103KA01D
5	2	Capacitor, Ceramic 10pF 10% NP0 C0G 0V 0603	C23,C34	490-1403-1-ND	Murata GRM1885C1H100JA01D
6	4	Capacitor, Ceramic 20pF 5% NP0 C0G 0V 0603	C14,C21,C25, C27	490-1410-1-ND	Murata GRM1885C1H200JA01D
7	29	Capacitor, Ceramic 100nF 10% 25V Y5V 0603	C2,C4,C6-C11,C13,C15-C19,C22, C24,C26,C28, C29, C33,C35-C40,C45-46,C54	490-1575-1-ND	Murata GRM188F51E104ZA01D
8	4	Capacitor, Tantalum 4.7uF 10% 10V Low ESR SMD 1206	C5,C20,C31, C32	478-2391-1-ND	AVX TPSA475K010R1400
9	4	Capacitor, Tantalum 10uF 10% 10V Low ESR SMD 1206	C3,C12,C30,C41	478-3317-1-ND	AVX TPSA106K010R1800
10	1	Capacitor 22uF 10% 6.3V Tantalum Low ESR SMD C	C43	399-10521-1-ND	Kemet T495C226K006ATE380
11	1	Capacitor 100uF 10% 6.3V Tantalum Low ESR SMD C	C44	495-1509-1-ND	Kemet T495C107K006ZTE150
12	1	Header, Male Shrouded 2x10, 0.1" Pitch	J1	HRP20H-ND	Assmann AWHW20G-0202-T
13	2	Connector, Receptacle USB Mini B Rt-Angle PCB Mount	J2,J8	H2959CT-ND	Hirose UX60-MB-5ST
14	1	Connector DB9F, Right-Angle PCB Short Body, Board Lock	J6	AE10924-ND	Assman A-DF-09-A/KG-T4S
15	1	Jack, DC Power, 2.5mm ID x 2.1mm pin	J7	CP-102AH-ND	Cui PJ-102AH
16	3	Receptacle, Female 2x20, 0.1" Pitch, 8.5mm Height, 3.2mm Solder Tails	J3,J4,J5	S6104-ND	Sullins PPTC202LFBN-RC
17	1	Solder Jumper	JP1	SOLDER OPEN	
18	2	Inductor, 10uH,100mA 0805	L1,L2	490-4029-1-ND	Murata LQM21FN100M70L
19	2	LED Green 0805	LED1,LED2	160-1179-1-ND	LiteOn LTST-C170GKT
20	0	Resistor, Prov 1/8W 0805	R1,R15,R16, R44,R45	DO NOT STUFF	
21	7	Resistor, 0 ohm 1/8W 0805	R9,R12,R13, R14,R22,R23, R29	P0.0ACT-ND	Panasonic ERJ-6GEY0R00V
22	2	Resistor, 1.0 5% 1/8W 0805	R7,R8	P1.0ACT-ND	Panasonic ERJ-6GEYJ1R0V
23	2	Resistor, 39 5% 1/8W 0805	R4,R5	P39ACT-ND	Panasonic ERJ-6GEYJ390V
24	1	Resistor, 150 5% 1/8W 0805	R17	P150ACT-ND	Panasonic ERJ-6GEYJ151V
25	1	Resistor, 4.7K 5% 1/8W 0805	R3	P4.7KACT-ND	Panasonic ERJ-6GEYJ472V
26	1	Resistor, 6.8K 5% 1/8W 0805	R6	P6.8KACT-ND	Panasonic ERJ-6GEYJ682V
27	0	Resistor, 47K 5% 1/8W 0805	R18	DO NOT STUFF	Panasonic ERJ-6GEYJ473V
28	0	Resistor, 68K 5% 1/8W 0805	R19	DO NOT STUFF	Panasonic ERJ-6GEYJ683V
29	11	Resistor,100K 5% 1/8W 0805	R2,R10,R11, R20,R21,R24, R25,R26,R27, R28,R42	P100KACT-ND	Panasonic ERJ-6GEYJ104V
30	3	Switch Tactile SPST 6 x 6 mm SMT	SW1,SW2,SW3	P12932SCT-ND	Panasonic EVQ-Q2B03W
31	2	Test Point, Black Insulator, 0.062" hole	TP2,TP3	5011K-ND	Keystone 5011
32	1	Test Point, Red Insulator, 0.062" hole	TP1	5010K-ND	Keystone 5010
33	1	IC, MCU 32-Bit 256KB Flash, 144-LQFP	U1	ATSAM3U4EA-AU-ND	Atmel ATSAM3U4EA-AU
34	2	4-Ch TVS ESD Protection SOT23-6	U2,U4	296-28203-1-ND	TI TPD4E001DBVR
35	1	IC, RS232 Driver/Receiver 3.0 to 5.5VDC 16-SOIC (3.9mm wide)	U3	296-19752-1-ND	Texas Inst MAX3232EIDR
36	1	IC Voltage Regulator 3.3V 1A LDO, SOT-223	U5	497-1228-1-ND	ST Micro LD1117AS33TR
37	1	PolyZen 5.6V PPTC protected Zener SMD	U6	ZEN056V130A24LSCT-ND	TE ZEN056V130A24LS
38	1	Filter, EMI 35dB 10A 1MHz-1GHz SMD	U7	490-5052-1-ND	Murata BNX022-01L
39	1	IC Voltage Ref 2.5V 1% Micropower SOT-23	VR1	576-1047-1-ND	Micrel LM4040DYM3-2.5
40	1	Crystal 12.00MHz, 50ppm 20pF, HC-49US leaded	Y1	631-1105-ND	Fox FOXSLF/120-20
41	1	Crystal, 32768 Hz 12.5pF cylinder leaded	Y2	535-9033-1-ND	Abracon AB26TRB-32.768KHZ-T
42	1	Capacitor, Ceramic 100nF, -20% / +80% 25V Y5V 0603	C66	490-1575-1-ND	Murata GRM188F51E104ZA01D
43	1	Capacitor, Ceramic 33pF, 5% 50V C0G 0603	C59	490-1415-1-ND	Murata GRM1885C1H330JA01D
44	2	Capacitor, Ceramic 15pF, 5% 50V C0G 0603	C60,C61	490-1407-1-ND	Murata GRM1885C1H150JA01D
45	1	Ferrite Bead, 220 Ohm @ 100MHz 300mA DC 0805	FB2	732-1602-1-ND	Wurth 742792034
46	1	Solder Jumper	JP2	SOLDER OPEN	
47	1	Resistor, 220 ohm 5% 1/10W 0603	R31	P220GCT-ND	Panasonic ERJ-3GEYJ221V
48	2	Resistor, 27 ohm 5% 1/10W 0603	R36,R38	P27GCT-ND	Panasonic ERJ-3GEYJ270V
49	5	Rubber Foot, Bumpon Black Hemisphere, .312 X.200 H	Place at 4 corners and center	SJ5746-0-ND	3M SJ61A1



LOWER CIRCUIT BOARD



STACKING UPPER CIRCUIT BOARD

J3,J4 & J5 ARE DUAL-ROW STACKING RECEPTACLES (LOWER BOARD) AND HEADERS (UPPER BOARD).

HOLT INTEGRATED CIRCUITS, Mission Viejo, CA, USA		
Title		
ARM CORTEX M3 MICROCONTROLLER BOARD		
Size	Document Number	Rev
A	CM3 BOARD REV F.DSN	F
Date:	Tuesday, April 11, 2017	Sheet 1 of 7

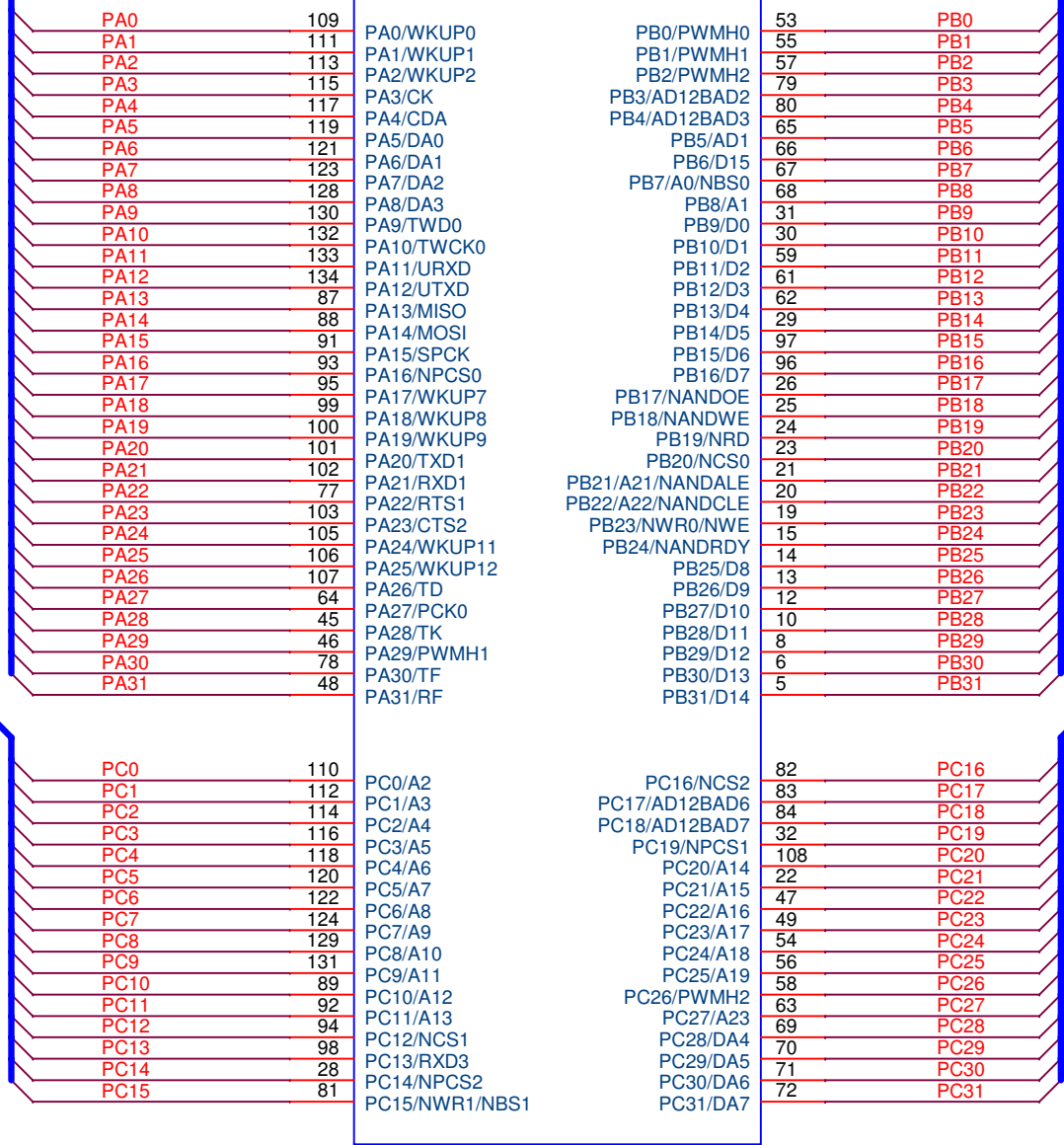
PA[31:0]

PB[31:0]

PC[31:0]

PC[31:0]

U1A
SAM3U



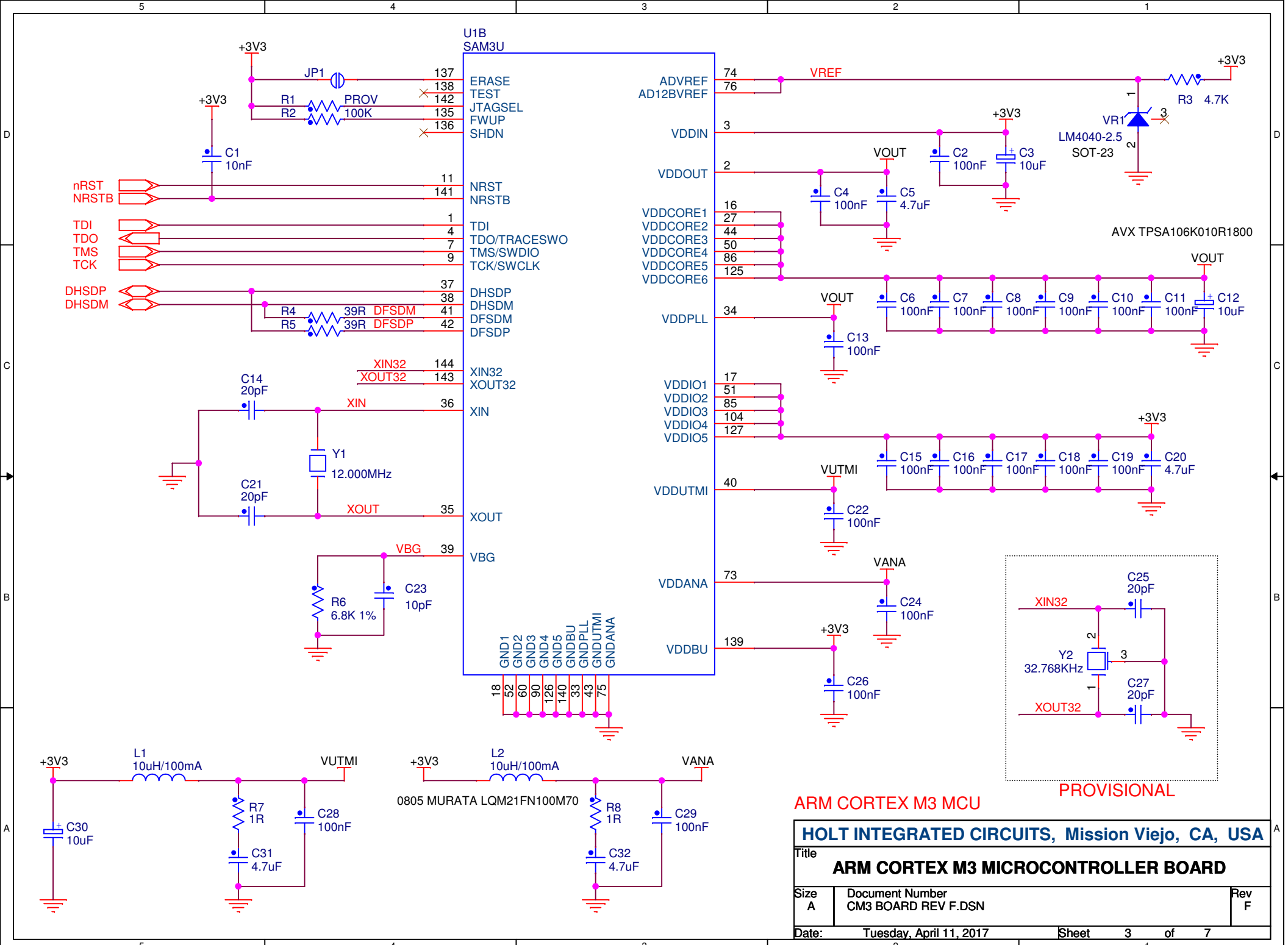
ARM CORTEX M3 PIO

HOLT INTEGRATED CIRCUITS, Mission Viejo, CA, USA

Title
ARM CORTEX M3 MICROCONTROLLER BOARD

Size A	Document Number CM3 BOARD REV F.DSN	Rev F
-----------	--	----------

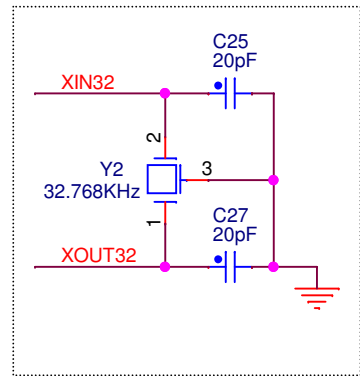
Date: Tuesday, April 11, 2017 Sheet 2 of 7



ARM CORTEX M3 MCU

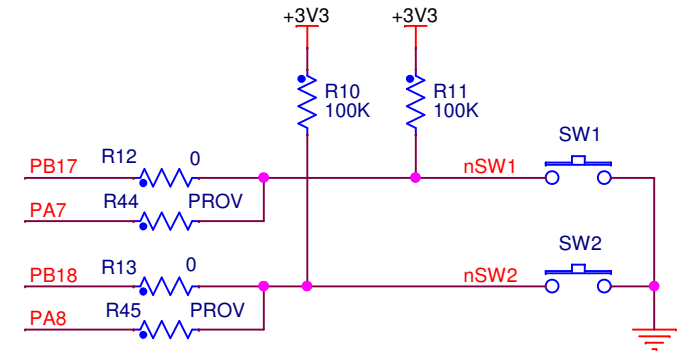
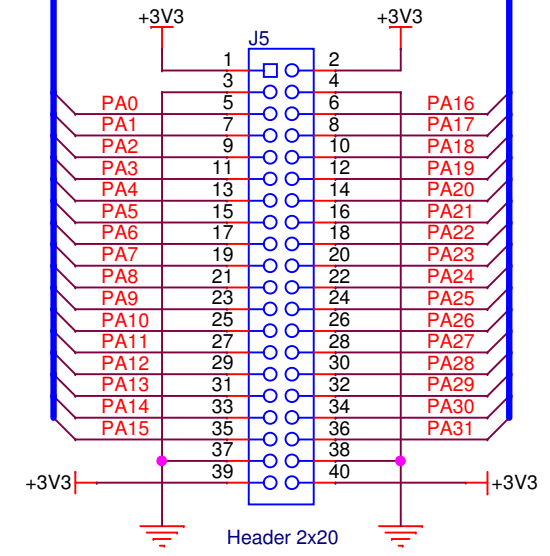
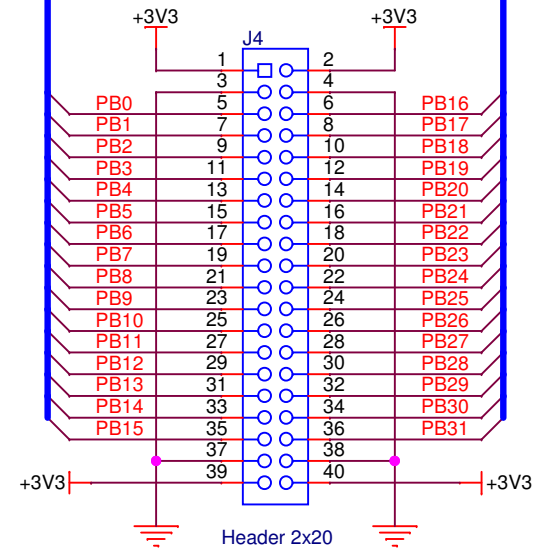
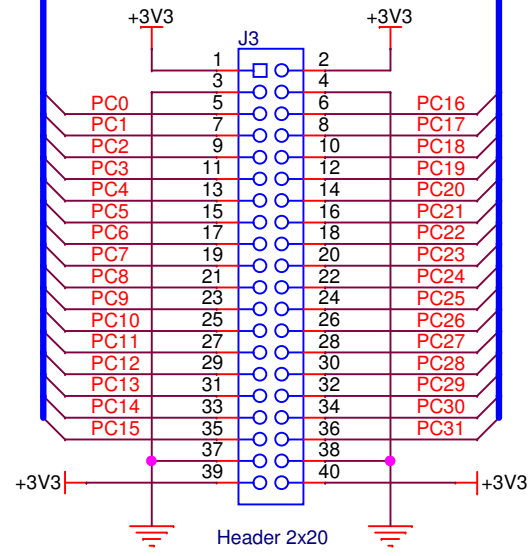
HOLT INTEGRATED CIRCUITS, Mission Viejo, CA, USA

Title		
ARM CORTEX M3 MICROCONTROLLER BOARD		
Size	Document Number	Rev
A	CM3 BOARD REV F.DSN	F
Date:	Tuesday, April 11, 2017	Sheet 3 of 7



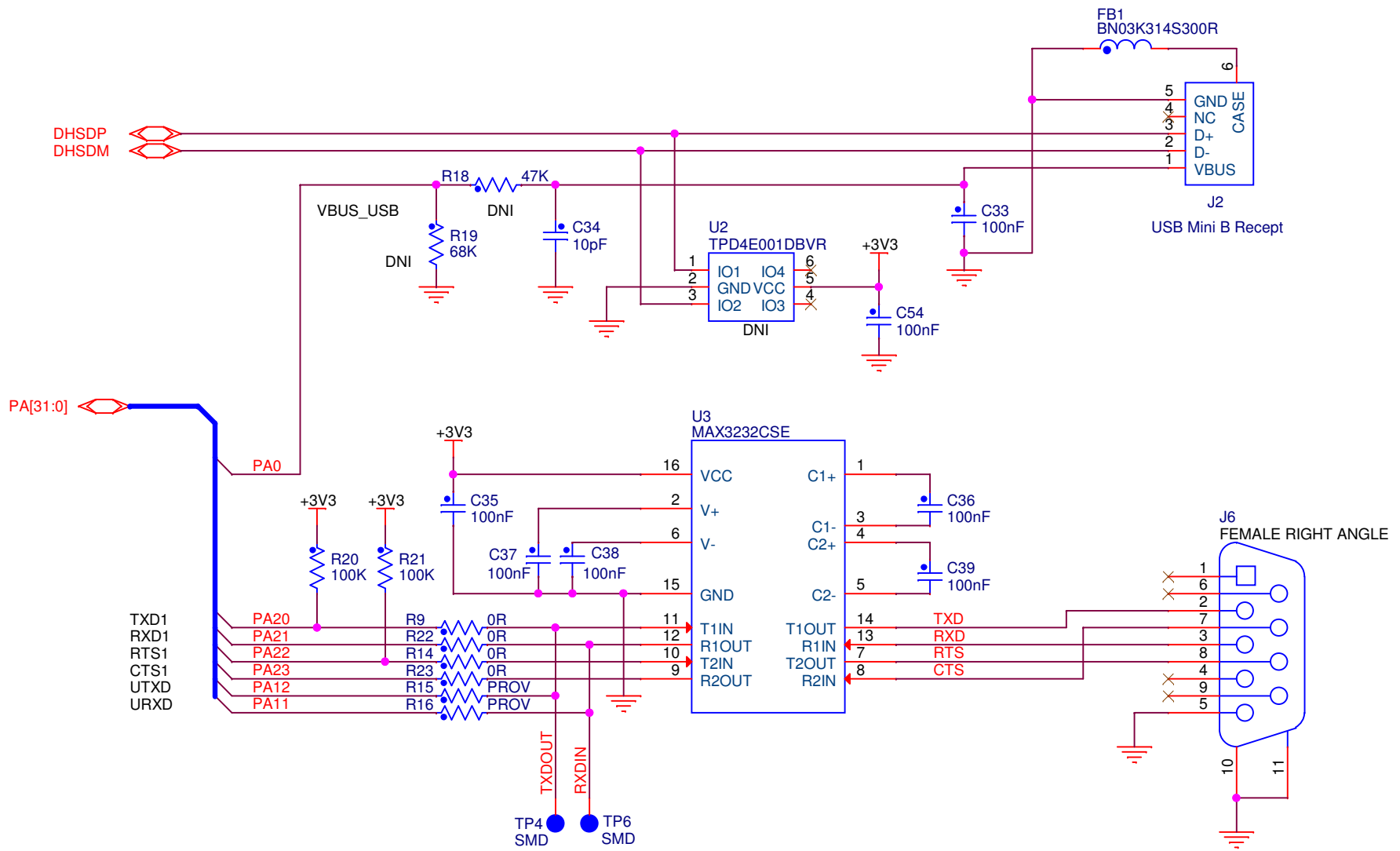
PROVISIONAL

{1,4} PA[31:0]
 {1,3,5} PB[31:0]
 {1,3} PC[31:0]



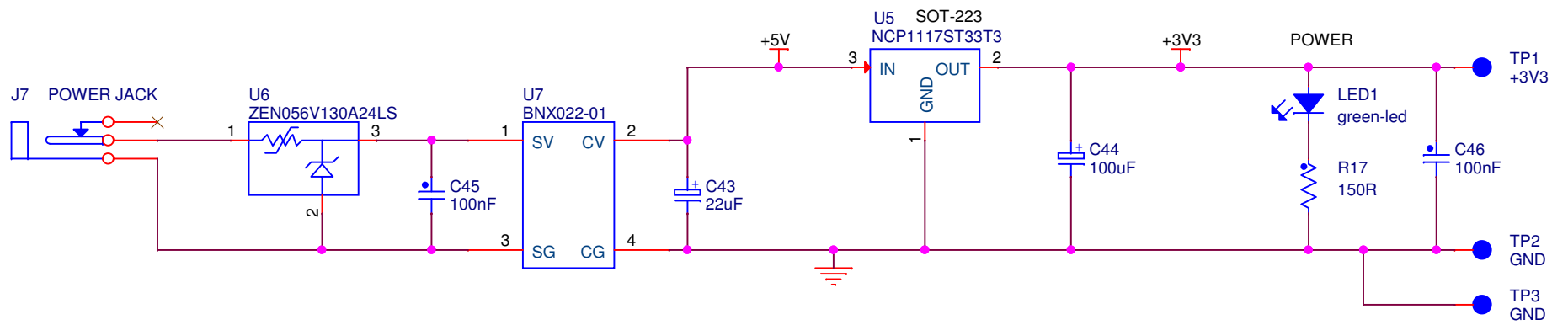
BOARD I/O HEADERS, BUTTONS

HOLT INTEGRATED CIRCUITS, Mission Viejo, CA, USA		
Title ARM CORTEX M3 MICROCONTROLLER BOARD		
Size A	Document Number CM3 BOARD REV F.DSN	Rev F
Date: Tuesday, April 11, 2017		Sheet 4 of 7



USB & RS-232 SERIAL

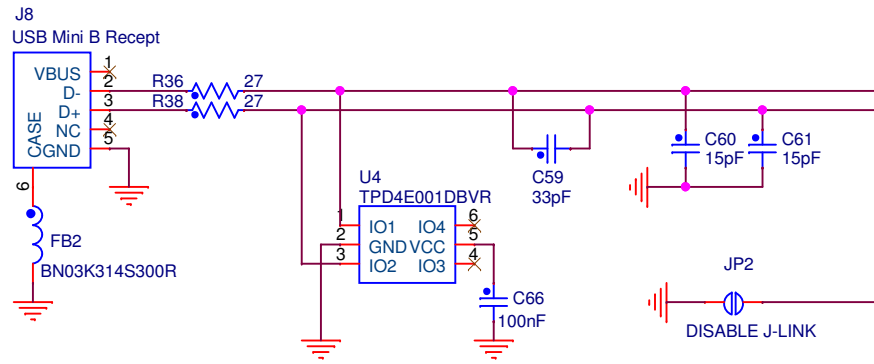
HOLT INTEGRATED CIRCUITS, Mission Viejo, CA, USA		
Title ARM CORTEX M3 MICROCONTROLLER BOARD		
Size A	Document Number CM3 BOARD REV F.DSN	Rev F
Date: Tuesday, April 11, 2017		Sheet 5 of 7



POWER SUPPLY

HOLT INTEGRATED CIRCUITS, Mission Viejo, CA, USA		
Title		
ARM CORTEX M3 MICROCONTROLLER BOARD		
Size	Document Number	Rev
A	CM3 BOARD REV F.DSN	F
Date:	Tuesday, April 11, 2017	Sheet 6 of 7

USB DEBUG INTERFACE



**SEGGER J-LINK ON-BOARD
DEBUGGER INTERFACE**

(CONFIDENTIAL)

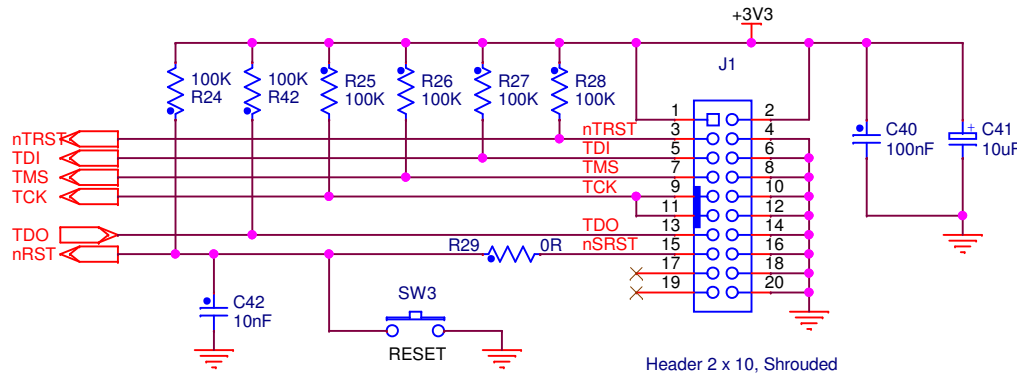
NOT PART OF A CUSTOMER DESIGN,
THIS BLOCK IS COMPRISED OF U8,
Y3, C47-C53, C55-C58, C62-C65, R30,
R32-R35, R37, R39-R41 AND R43.

- TDI
- TMS
- TCK
- TDO
- nRST

**DEBUGGER INTERFACE COPIED
FROM ATMEL ARM CORTEX M3**

USE THIS TO CONNECT J-LINK IF ABOVE
CIRCUITRY IS NOT POPULATED OR WHEN
IT IS DISABLED BY JUMPER JP2.

**PARALLEL
DEBUG INTERFACE**



HOLT INTEGRATED CIRCUITS, Mission Viejo, CA, USA

Title		
ARM CORTEX M3 MICROCONTROLLER BOARD		
Size	Document Number CM3 BOARD REV F.DSN	Rev F
Date:	Tuesday, April 11, 2017	Sheet 7 of 7